



RPL Series LI-ION TECHNOLOGY

Electric Pallet Truck 2.0/2.5/3.0T

- Lithium-ion technology
- Robust safety arms
- More precise working mechanism
- Increase lifetime of movable parts
- Strengthened loading wheel assembly

EP EQUIPMENT CO.,LTD
www.ep-ep.com



FEATURE

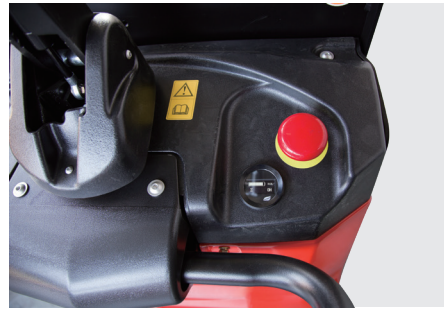
■ Lithium-ion technology

The RPL series is equipped with 24V/210Ah EP Li-ion battery that supports opportunity charging. Operators can charge the truck at preferable time during the day without disrupting working schedules.



■ Robust safety arms

The safety arms of the RPL series are produced from strengthened steel to ensure a long lifetime of the trucks structure.



■ More precise working mechanism

Using slider motion structure and one-time full-axis processing technology to ensure higher working accuracy.



■ Increase lifetime of movable parts

Adopting special pin material, heat treatment process and customized sleeve to make key movable parts more durable.



■ Strengthened loading wheel assembly

RPL251 and RPL301 come with strengthened frames and updated links of the loading wheels to improve wear resistance and meet heavy duty applications.



Electric Pallet Truck 2.0T

RPL201/RPL201H

Distinguishing mark							
1.1	Manufacturer			EP		EP	
1.2	Model designation			RPL201 (Lithium battery)		RPL201H (Lithium battery)	
1.3	Drive unit			Electrics		Electrics	
1.4	Operator type			standing		standing	
1.5	rated capacity	Q	kg	2000		2000	
1.6	Load center distance	c	mm	600		600	
1.8	Load distance	x	mm	916	986	916	986
1.9	Wheelbase	y	mm	1414	1484	1414	1484
Weight							
2.1	Service weight (include battery)		kg	630		630	
2.2	Axle loading, laden driving side/loading side		kg	1020 / 1610		1020 / 1610	
2.3	Axle loading, unladen driving side/loading side		kg	500 / 130		500 / 130	
Types,Chassis							
3.1	Tyre type driving wheels/loading wheels			Polyurethane / Polyurethane		Polyurethane / Polyurethane	
3.2	Tyre size, driving wheels (diameter×width)		mm	Φ230x75		Φ230x75	
3.3	Tyre size, loading wheels (diameter×width)		mm	Φ85x70 / Φ83x115		Φ85x70 / Φ83x115	
3.4	Tyre size, caster wheels (diameter×width)		mm	Φ130x55		Φ130x55	
3.5	Wheels, number driving, caster/loading (x=drive wheels)		mm	1 x +2 / 4 / 1 x + 2 / 2		1 x +2 / 4 / 1 x + 2 / 2	
3.6	Track width, front,driving side	b10	mm	510		510	
3.7	Track width,rear,loading side	b11	mm	370 / 515		370 / 515	
Dimensions							
4.4	Lift height	h3	mm	120		120	
4.9	Height drawbar in driving position min./max.	h14	mm	1075 / 1288		1075 / 1288	
4.15	Lowered height	h13	mm	85		85	
4.19	Overall length	l1	mm	1866	1936	1866	1936
4.20	Length to face of forks	l2	mm	716		716	
4.21	Overall width	b1/ b2	mm	730		730	
4.22	Fork dimensions	s/ e/ l	mm	55x170x1150	55x170x1220	55x170x1150	55x170x1220
4.25	Distance between fork-arms	b5	mm	540 / 685		540 / 685	
4.32	Ground clearance, center of wheelbase	m2	mm	30		30	
4.34.1	Aisle width for pallets 1000 × 1200 crossways	Ast	mm	2498		2498	
4.34.2	Aisle width for pallets 800 × 1200 lengthways	Ast	mm	2355		2355	
4.35	Turning radius	Wa	mm	1700		1700	
Performance data							
5.1	Travel speed, laden/ unladen	km/ h	km/h	5.5 / 6		9.0 / 12.0	
5.2	Lifting speed, laden/ unladen		m/ s	0.050 / 0.054		0.050 / 0.054	
5.3	Lowering speed, laden/ unladen		m/ s	0.067 / 0.054		0.067 / 0.054	
5.8	Max. gradeability, laden/unladen		%	8 / 16		8 / 16	
5.10	Service brake type			Electromagnetic		Electromagnetic	
Electric-engine							
6.1	Drive motor rating S2 60 min		kW	1.6		2.5	
6.2	Lift motor rating at S3 15%		kW	2.2		2.2	
6.3	The maximum allowed size battery		mm	550*190*500		550*190*500	
6.4	Battery voltage/nominal capacity K5		V/ Ah	24 / 210		24 / 210	
6.5	Battery weight		kg	62		62	
Addition data							
8.1	Type of drive control			AC		AC	
10.5	Steering type			Electronic		Electronic	
10.7	Sound pressure level at the driver's ear		dB (A)	74		74	

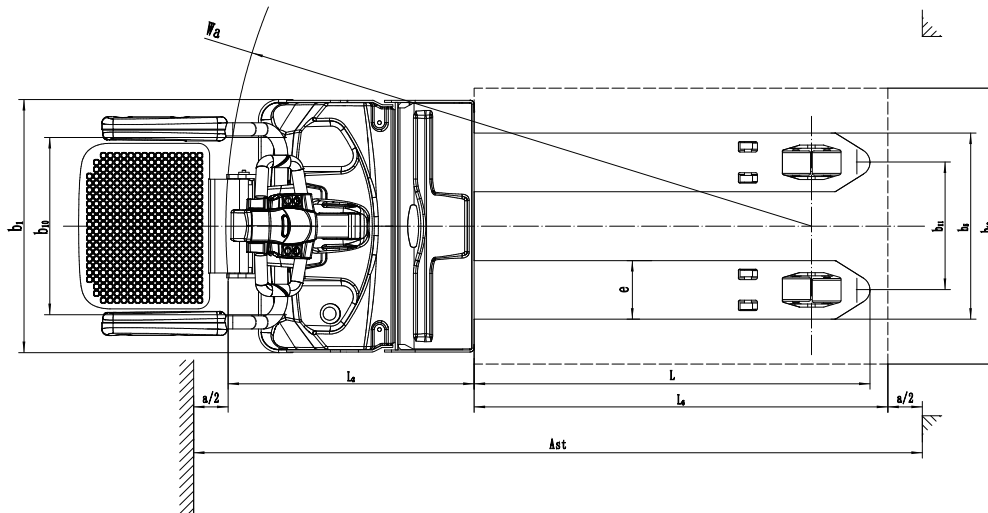
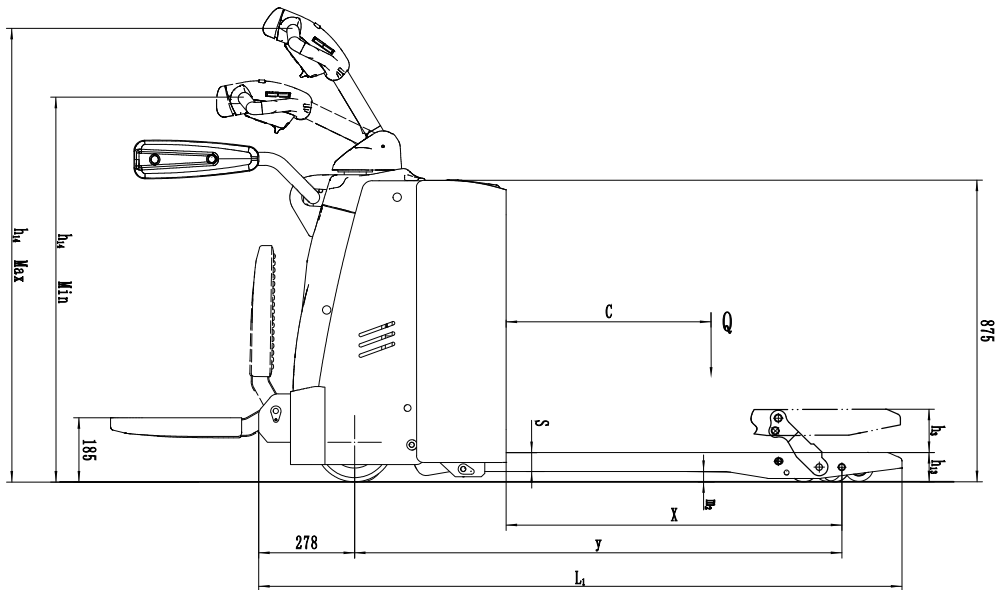
If there are improvements of technical parameters or configurations, no further notice will be given.
The diagram shown may contain non-standard configurations.

Electric Pallet Truck 2.5/3.0T

RPL251/RPL301

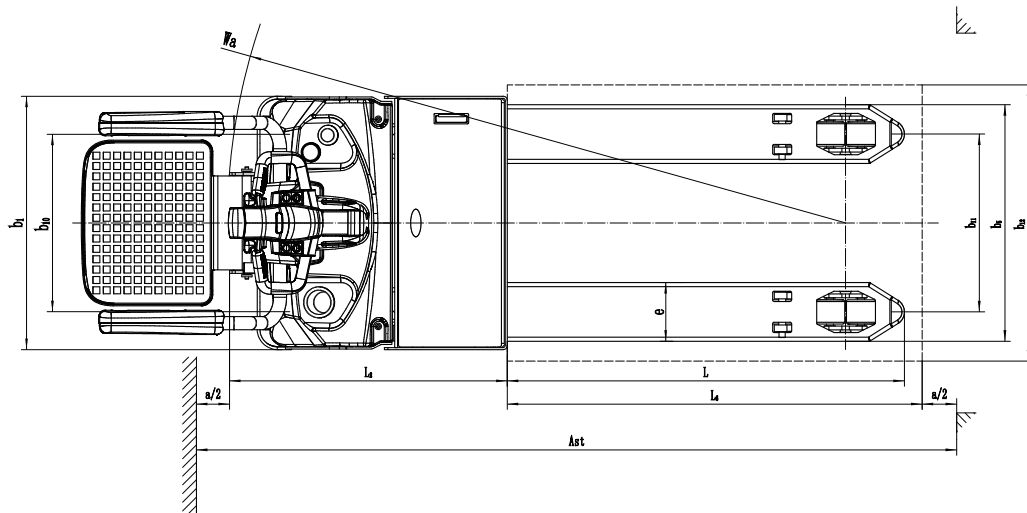
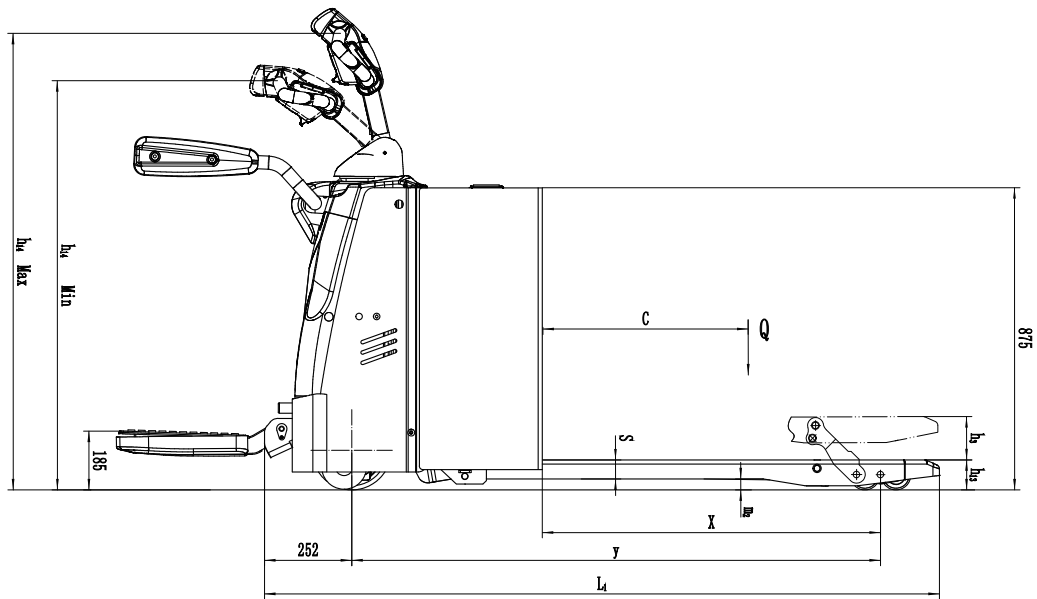
Distinguishing mark							
1.1	Manufacturer				EP		EP
1.2	Model designation				RPL251		RPL301
1.3	Drive unit				Electrics		Electrics
1.4	Operator type				standing		standing
1.5	rated capacity	Q	kg		2500		3000
1.6	Load center distance	c	mm		600		600
1.8	Load distance	x	mm		916	986	916 986
1.9	Wheelbase	y	mm		1531	1601	1531 1601
Weight							
2.1	Service weight (include battery)		kg		790		790
2.2	Axle loading, laden driving side/loading side		kg		1120 / 1670		1370 / 2420
2.3	Axle loading, unladen driving side/loading side		kg		650 / 140		650 / 140
Types,Chassis							
3.1	Tyre type driving wheels/loading wheels				Polyurethane / Polyurethane		Polyurethane / Polyurethane
3.2	Tyre size, driving wheels (diameter*width)		mm		Φ230 x 75		Φ230 x 75
3.3	Tyre size, loading wheels (diameter*width)		mm		Φ85 x 70 / Φ83 x 115		Φ85 x 70 / Φ83 x 115
3.4	Tyre size, caster wheels (diameter*width)		mm		Φ130 x 55		Φ130 x 55
3.5	Wheels, number driving, caster/loading (x=drive wheels)		mm		1 x +2 / 4 / 1 x + 2 / 2		1 x +2 / 4 / 1 x + 2 / 2
3.6	Track width, front,driving side	b10	mm		510		510
3.7	Track width,rear,loading side	b11	mm		370 / 495		370 / 495
Dimensions							
4.4	Lift height	h3	mm		120		120
4.9	Height drawbar in driving position min./max.	h14	mm		1075 / 1288		1075 / 1288
4.15	Lowered height	h13	mm		85		85
4.19	Overall length	l1	mm		1954	2024	1954 2024
4.20	Length to face of forks	l2	mm		804		804
4.21	Overall width	b1/ b2	mm		730		730
4.22	Fork dimensions	s/ e/ l	mm		55x190x1150	55x190x1220	55x190x1150 55x190x1220
4.25	Distance between fork-arms	b5	mm		560 / 685		560 / 685
4.32	Ground clearance, center of wheelbase	m2	mm		30		30
4.34.1	Aisle width for pallets 1000 × 1200 crossways	Ast	mm		2590		2590
4.34.2	Aisle width for pallets 800 × 1200 lengthways	Ast	mm		2447		2447
4.35	Turning radius	Wa	mm		1790		1790
Performance data							
5.1	Travel speed, laden/ unladen	km/ h	km/h		5.5 / 6		5.5 / 6
5.2	Lifting speed, laden/ unladen		m/ s		0.050 / 0.054		0.050 / 0.054
5.3	Lowering speed, laden/ unladen		m/ s		0.067 / 0.054		0.067 / 0.054
5.8	Max. gradeability, laden/unladen		%		6 / 16		8 / 16
5.10	Service brake type				Electromagnetic		Electromagnetic
Electric-engine							
6.1	Drive motor rating S2 60 min		kW		1.6		2.5
6.2	Lift motor rating at S3 15%		kW		2.2		2.2
6.3	The maximum allowed size battery		mm		550 x 190 x 500		550 x 190 x 500
6.4	Battery voltage/nominal capacity K5		V/Ah		24 / 210		24 / 210
6.5	Battery weight		kg		62		62
Addition data							
8.1	Type of drive control				AC		AC
10.5	Steering type				Electronic		Electronic
10.7	Sound pressure level at the driver's ear		dB (A)		74		74

If there are improvements of technical parameters or configurations, no further notice will be given.
The diagram shown may contain non-standard configurations.



Option

Optional items	RPL201/RPL201H (Li-ion)
Fork length	○1150/1220mm
Fork width	○540/685mm
Double load wheel	●
Single load wheel	●
Driving wheel	●PU
Balance wheel	●
Battery capacity	●210AH
Lateral change battery	—
half speed function in turning	●
Guard arm	●
Fork lowered height	●85mm
Special backrest	○1220mm (48in)/1520mm (60in)
Note: ● standard ○ option — NA	



Option

Optional items	RPL251/301
Fork length	○1150/1220mm
Fork width	○560/685mm
Double load wheel	●
Single load wheel	—
Driving wheel	●PU
Balance wheel	●
Battery capacity	●210AH
Lateral change battery	—
half speed function in turning	●
Guard arm	●
Fork lowered height	●85mm
Special backrest	○1220mm (48in)/1520mm (60in)

Note: ● standard ○ option — NA